

# Alexander Graham Bell Coloring Book



Level B

By Bonnie Rose Hudson



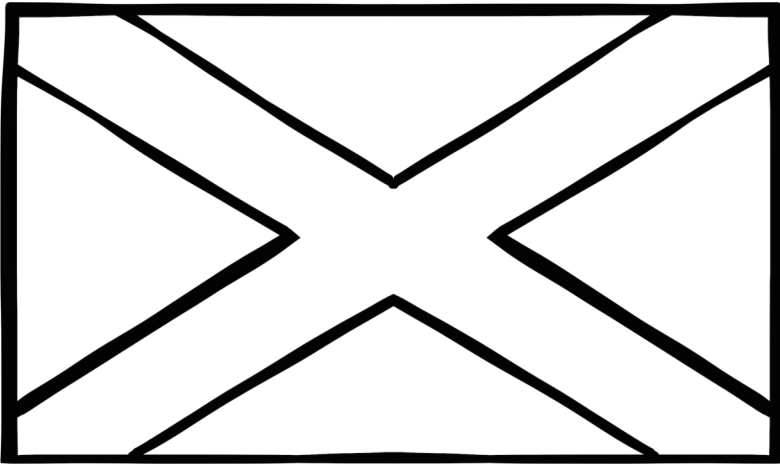
Copyright © 2018 by Bonnie Rose Hudson



Select graphics used courtesy of [EduClips](#), [Dandy Doodles](#), [RamonaM ClipArt](#), [Artventurous Life](#), [Kari Bolt Clip Art](#), [CrunchyMom.org](#), and [Caboose Designs](#).

All Rights Reserved. This book may not be reproduced or transmitted by any means, including graphic, electronic, or mechanical, without the express written consent of the author except in the case of brief quotations embodied in critical articles and reviews and those uses expressly described in the following Terms of Use. You are welcome to link back to the author's website, <http://writebonnierose.com>, but may not link directly to the PDF file. You may not alter this work, sell or distribute it in any way, host this file on your own website, or upload it to a shared website.

Terms of Use: For use by a family, this unit can be printed and copied as many times as needed. Classroom teachers may reproduce one copy for each student in his or her class. Members of co-ops or workshops may reproduce one copy for up to fifteen children. This material cannot be resold or used in any way for commercial purposes. Please contact the publisher with any questions.

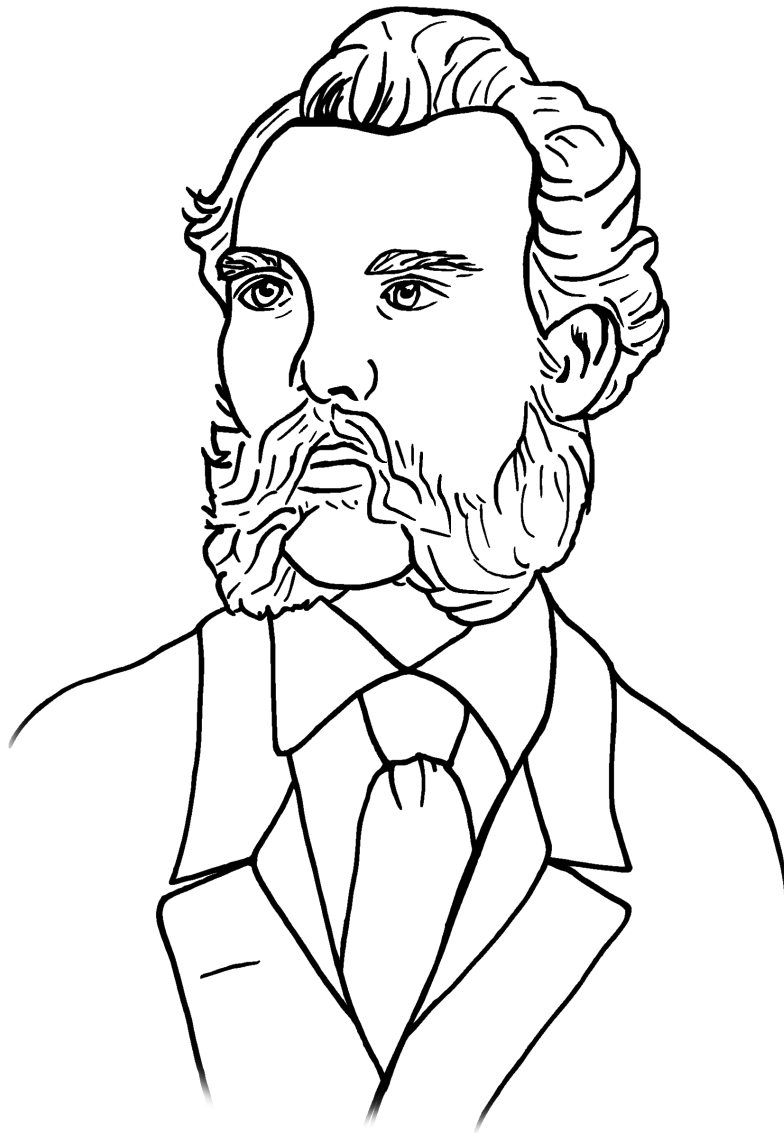


Alexander Graham

Bell was born in

Edinburgh, Scotland,

on March 3, 1847.



His father taught  
people who were  
deaf and mute how  
to speak, and Bell  
sometimes helped.



Bell became  
interested in how  
speech and  
electricity worked  
together.



His family moved to  
Canada after both  
his brothers died  
from tuberculosis.



Later, he moved to

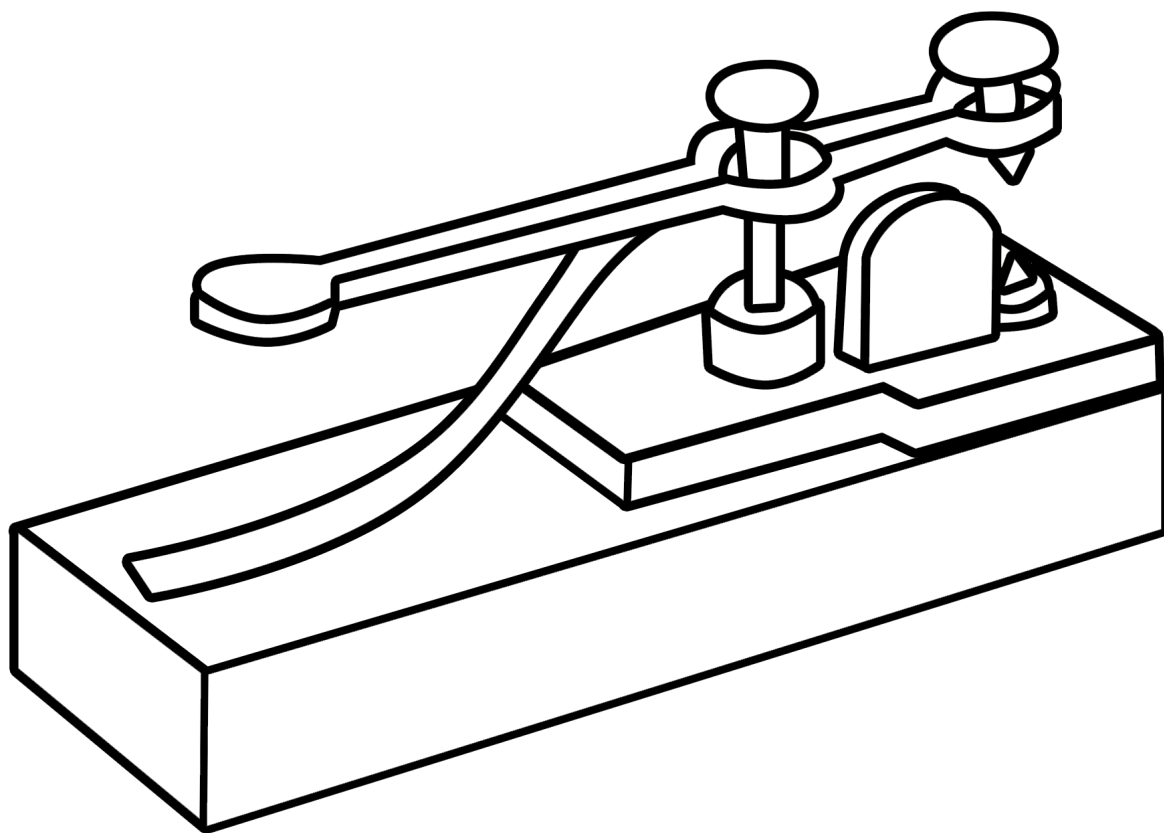
Boston to teach

others how to use his

father's method to

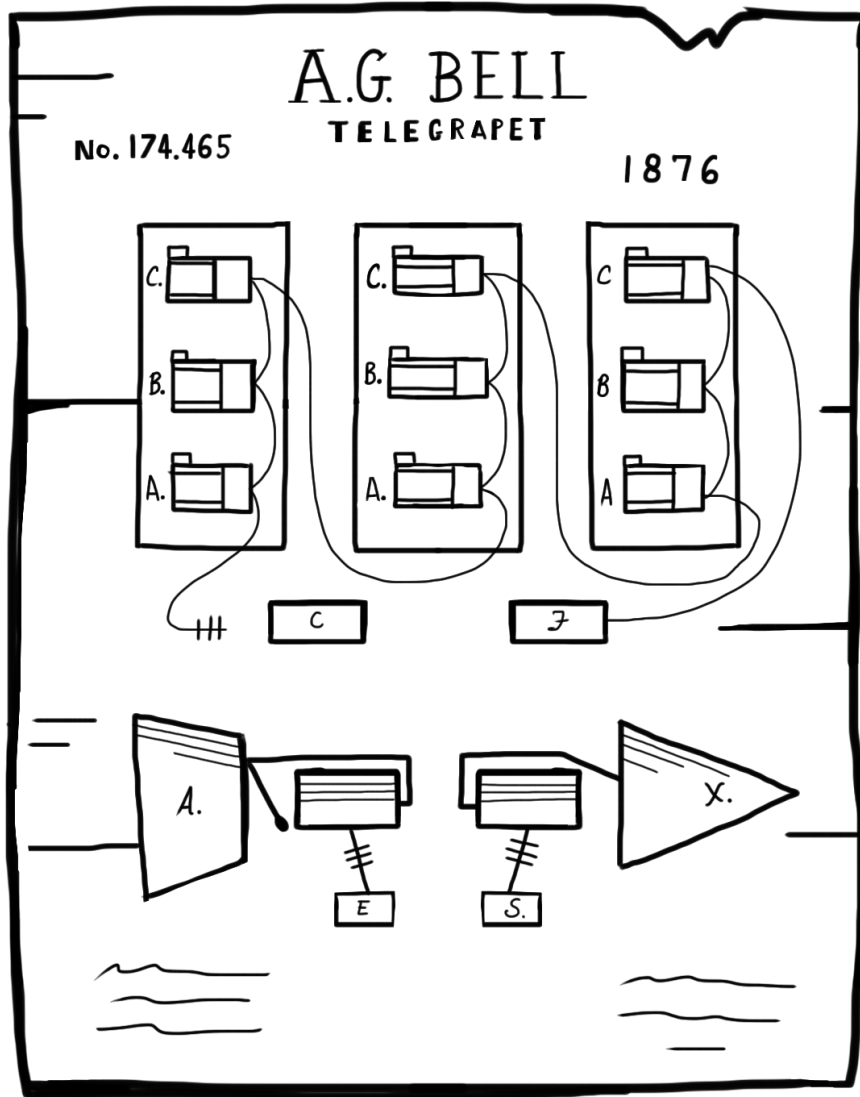
teach the deaf

to talk.

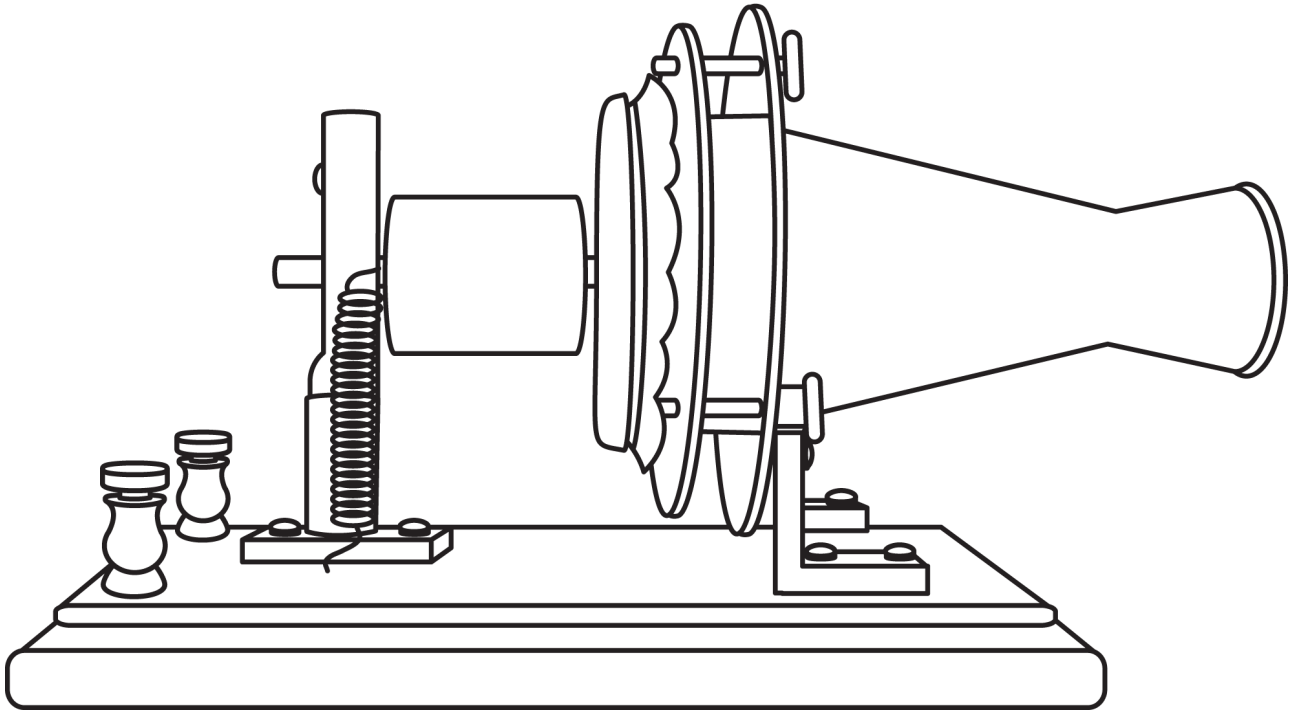


He tried to improve  
the telegraph so you  
could send multiple  
messages over the  
wire at one time.





He received his first  
 telephone patent  
 in 1876.



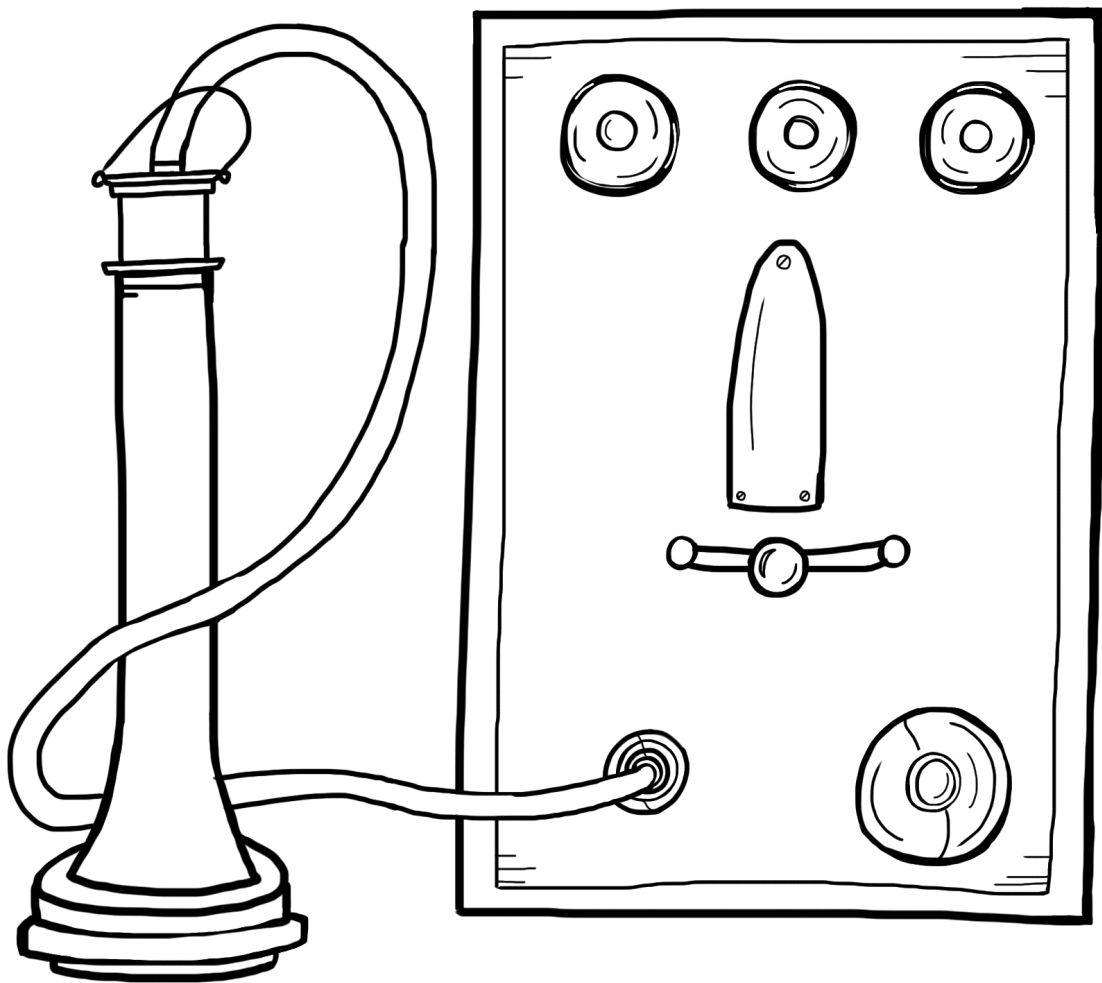
This is one of  
several telephone  
designs shown at the  
Philadelphia  
Centennial Exposition.



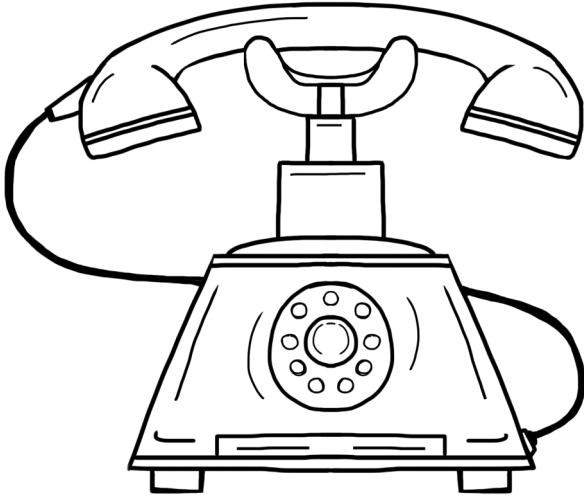
Bell married Mabel  
Hubbard, and they  
moved to  
Washington, D.C.



By the time the  
cities of New York  
and Chicago were  
linked by phone, its  
design had changed.



Over the years, the  
design of the phone  
has continued to  
change . . .

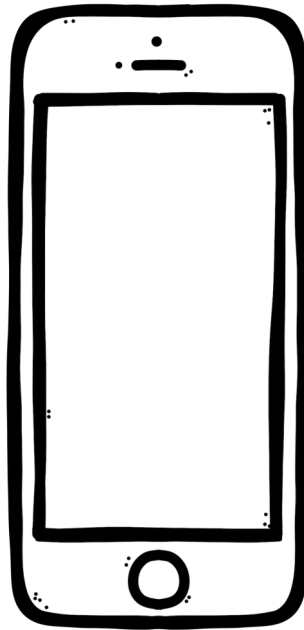
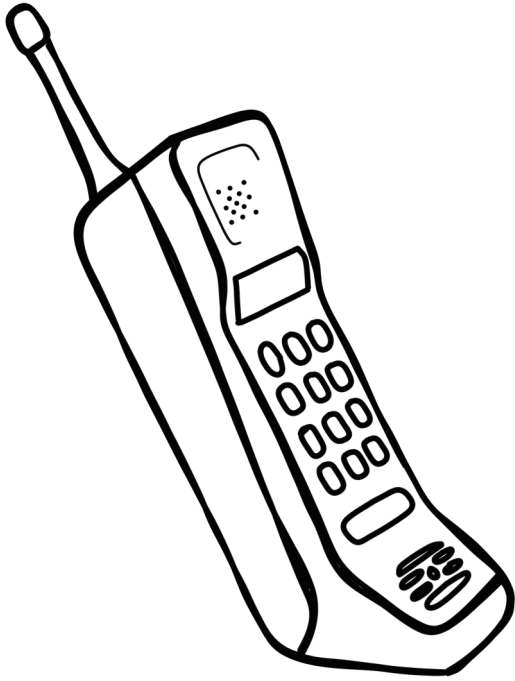


dials were

dialled, . . .



then changed to  
buttons.

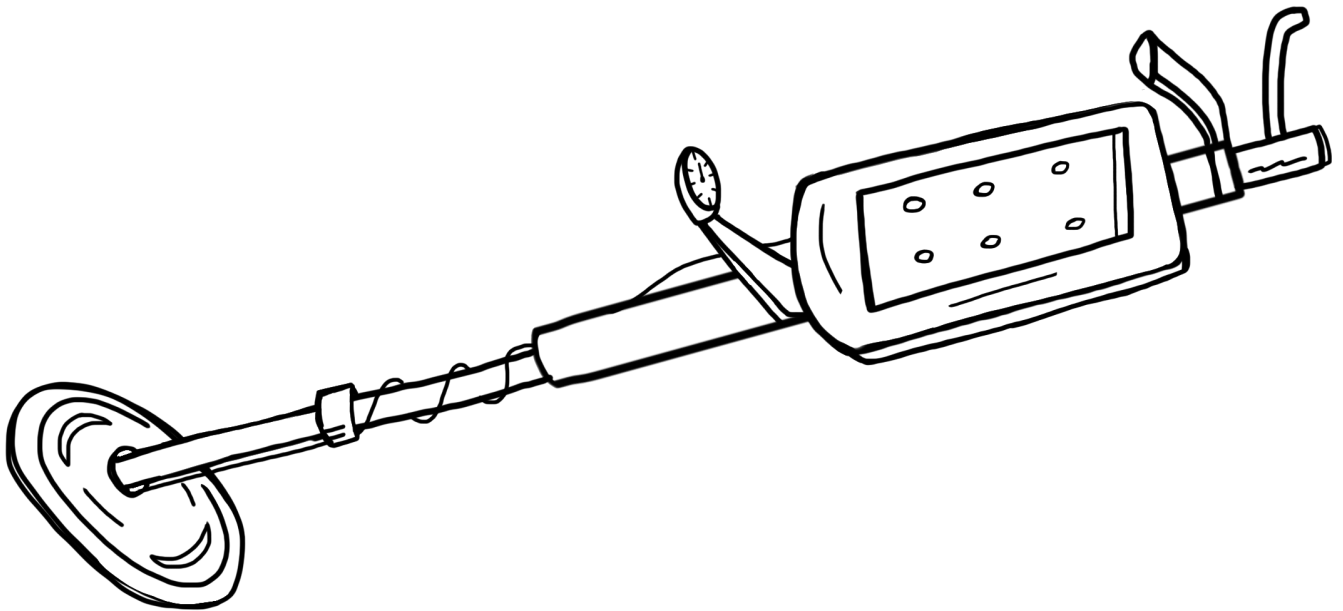


Now, you don't even  
need a cord.

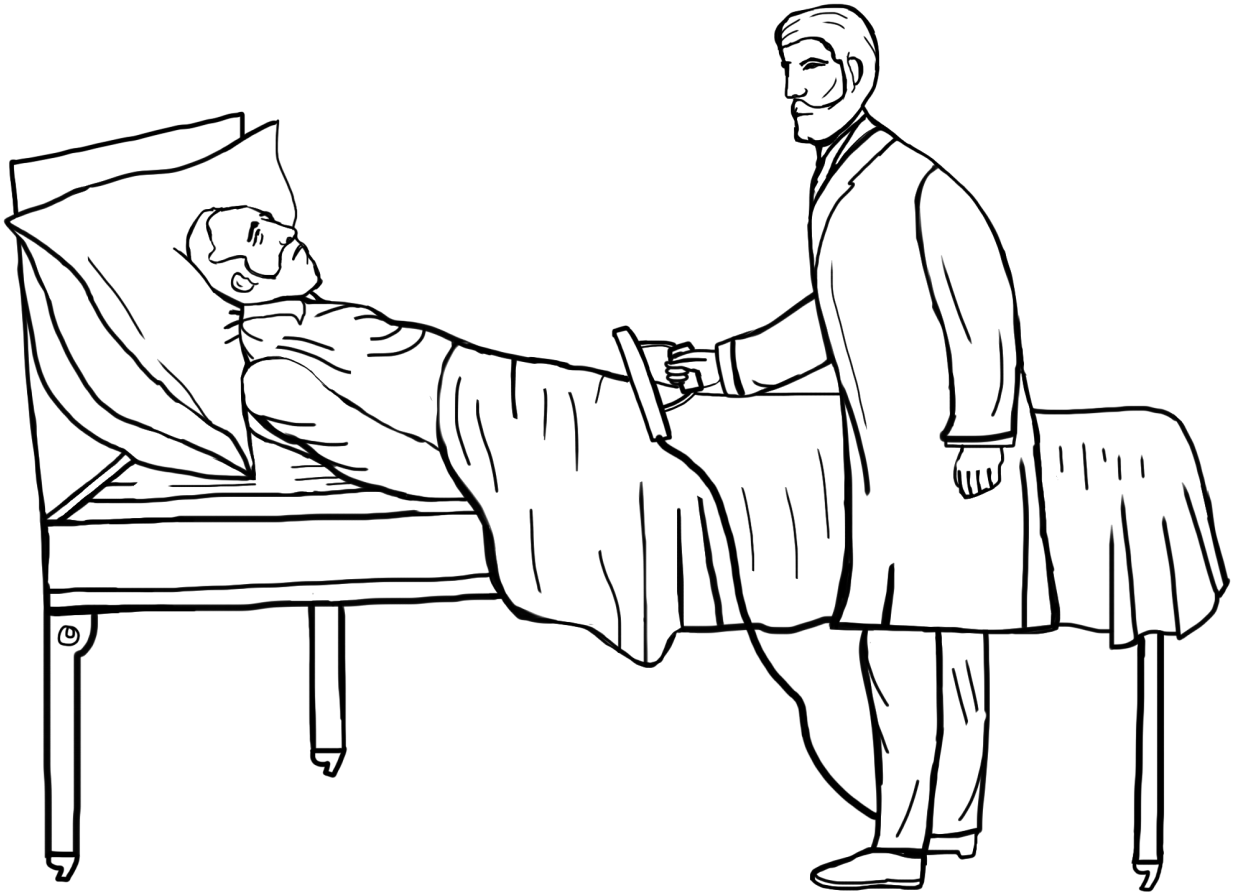




Bell founded the  
Volta Laboratory  
and the Alexander  
Graham Bell  
Association for  
the Deaf.



He also invented a  
way to detect bullets  
inside the body that  
doctors used until X  
rays were discovered.



He used it to try to

save President

Garfield after he'd

been shot, but springs

in the bed interfered.



Thank you for downloading my product! I pray it is a blessing to you and your family. If you'd like to view more of my products and freebies, you'll find them at [WriteBonnieRose.com](http://WriteBonnieRose.com). I am adding new material almost every week, so please check back often or sign up to receive my newsletter so you don't miss a thing.

At [WriteBonnieRose.com](http://WriteBonnieRose.com), you'll find:

- Resources for Teaching Kids About the Persecuted Church and Unreached People Groups
- Copywork
- History Resources and Printables
- Holiday Resources and Printables
- Coloring Pages
- Notebooking Pages
- Timeline Worksheets and Resources
- Short Stories for Kids
- Writing Opportunities
- How to Write for Homeschoolers

I'd love to connect with you! In addition to my website, you can find me on:

[CurrClick](#)  
[Educents](#)  
[Teachers Pay Teachers](#)  
[Teacher's Notebook](#)  
[Facebook](#)  
[Pinterest](#)  
[Twitter](#)  
[Google+](#)  
[LinkedIn](#)

