

# Alexander Graham Bell Coloring Book



Level C

By Bonnie Rose Hudson



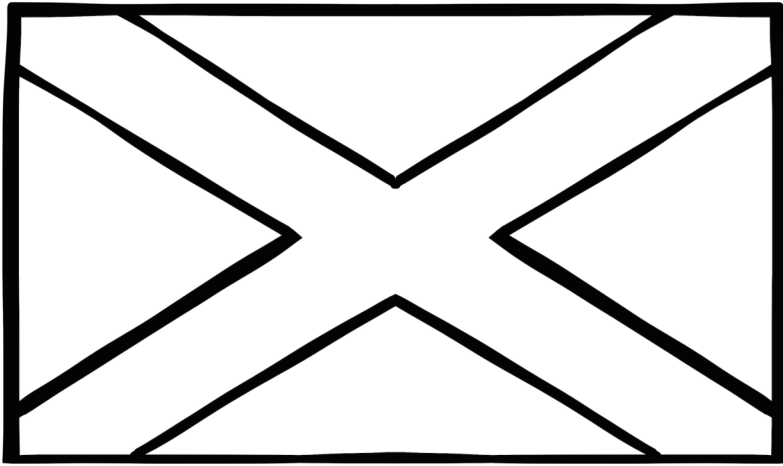
Copyright © 2018 by Bonnie Rose Hudson



Select graphics used courtesy of [EduClips](#), [Dandy Doodles](#), [RamonaM ClipArt](#), [Artventurous Life](#), [Kari Bolt Clip Art](#), [CrunchyMom.org](#), and [Caboose Designs](#).

All Rights Reserved. This book may not be reproduced or transmitted by any means, including graphic, electronic, or mechanical, without the express written consent of the author except in the case of brief quotations embodied in critical articles and reviews and those uses expressly described in the following Terms of Use. You are welcome to link back to the author's website, <http://writebonnierose.com>, but may not link directly to the PDF file. You may not alter this work, sell or distribute it in any way, host this file on your own website, or upload it to a shared website.

Terms of Use: For use by a family, this unit can be printed and copied as many times as needed. Classroom teachers may reproduce one copy for each student in his or her class. Members of co-ops or workshops may reproduce one copy for up to fifteen children. This material cannot be resold or used in any way for commercial purposes. Please contact the publisher with any questions.

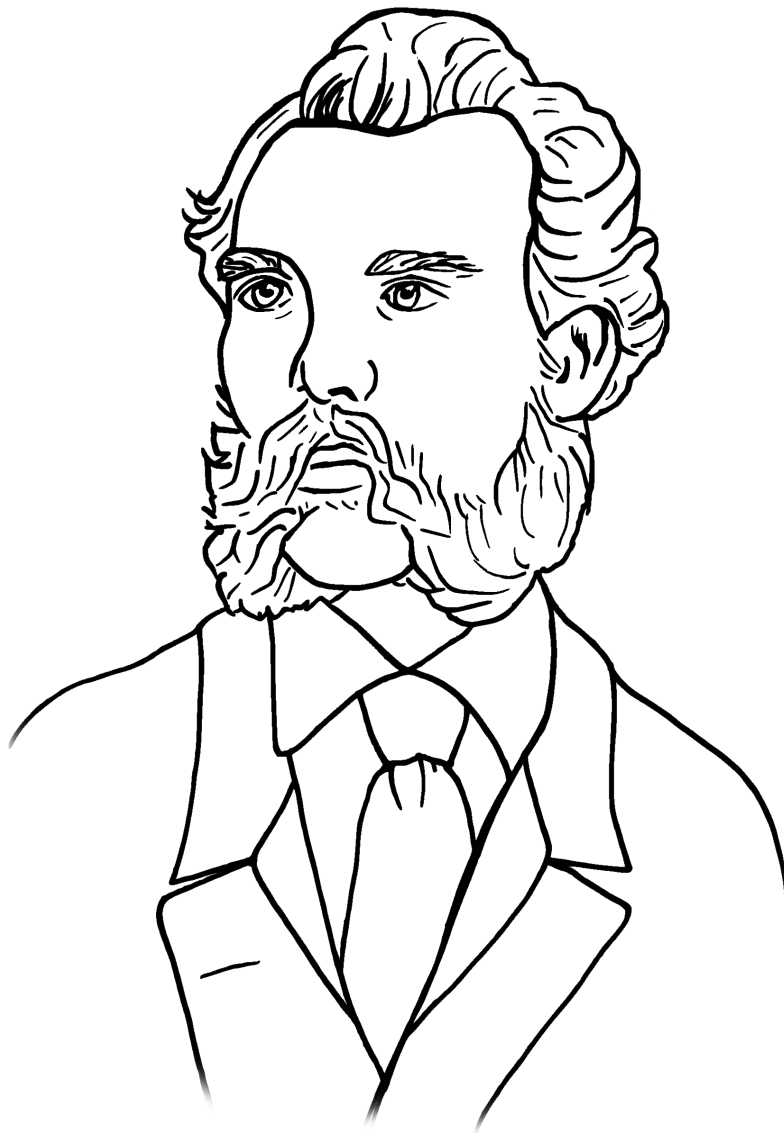


Alexander Graham

Bell was born in

Edinburgh, Scotland,

on March 3, 1847.



His father taught people

who were deaf and

mute how to speak, and

Bell sometimes helped.



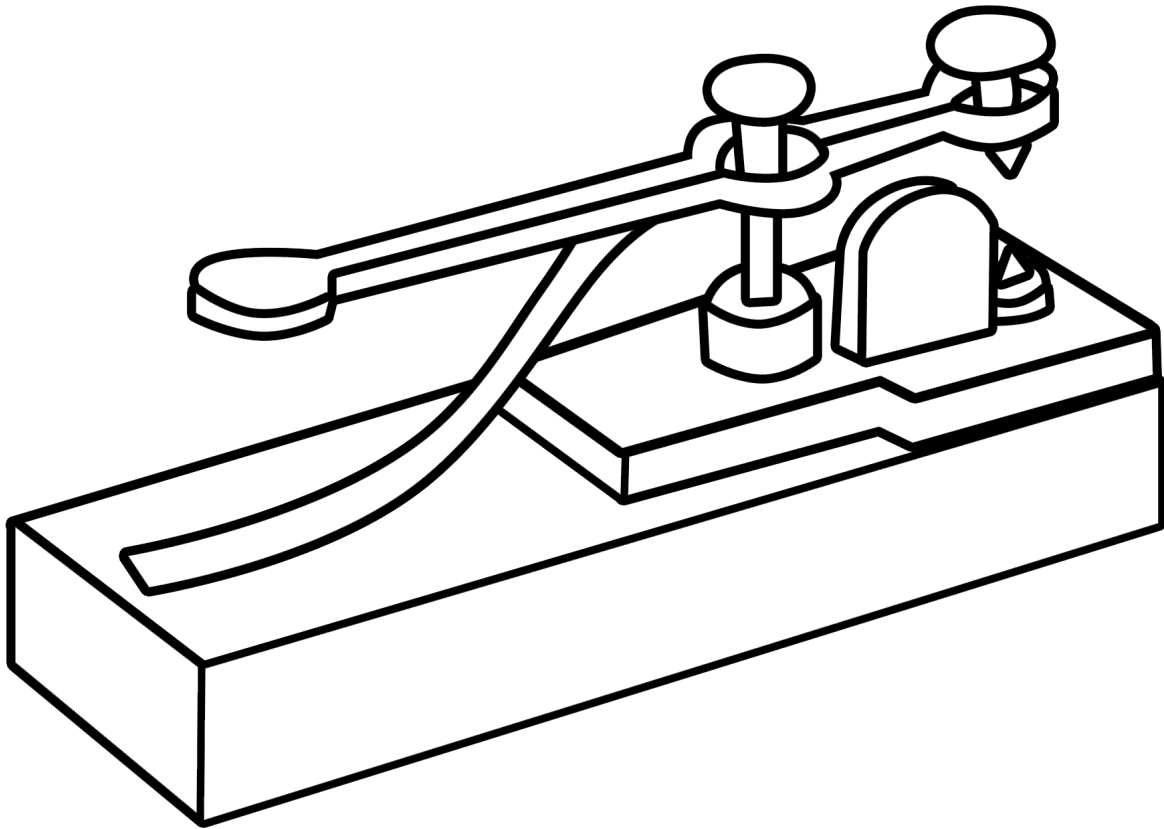
Bell became interested  
in how speech and  
electricity worked  
together.



His family moved to  
Canada after both  
his brothers died  
from tuberculosis.

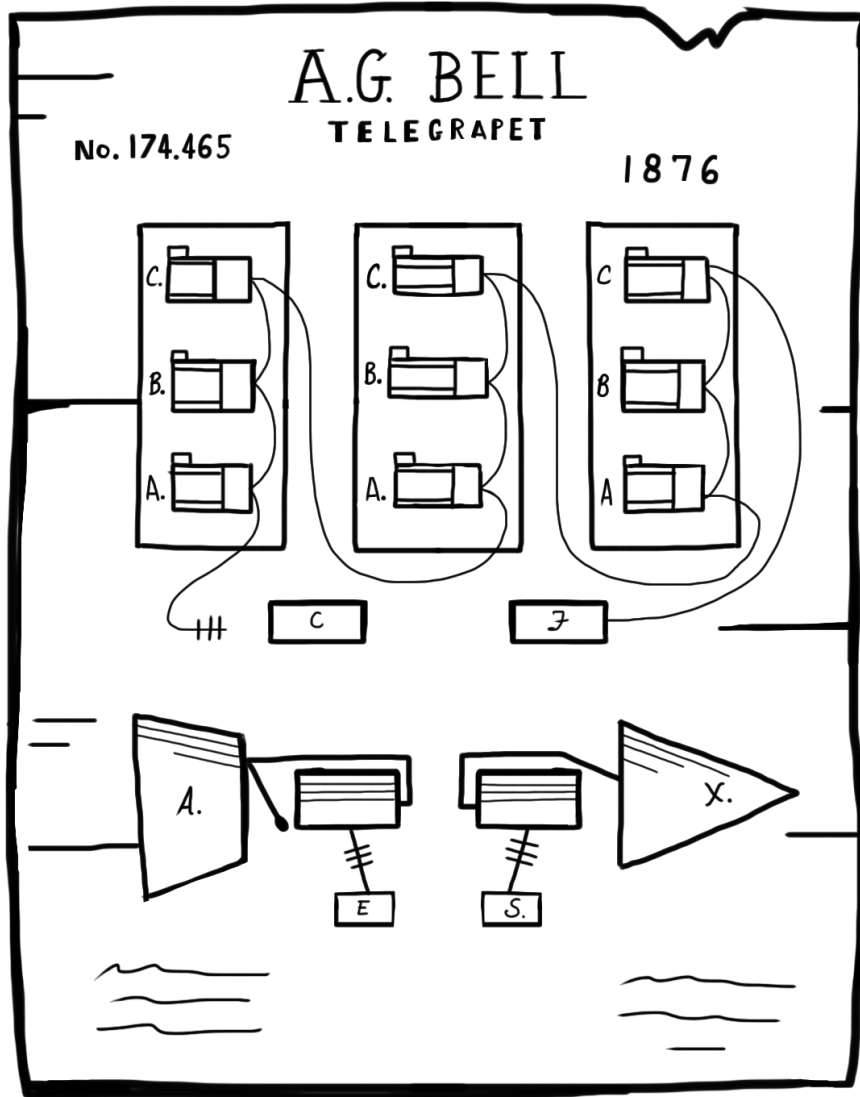


Later, he moved to  
Boston to teach others  
how to use his father's  
method to teach the  
deaf to talk.

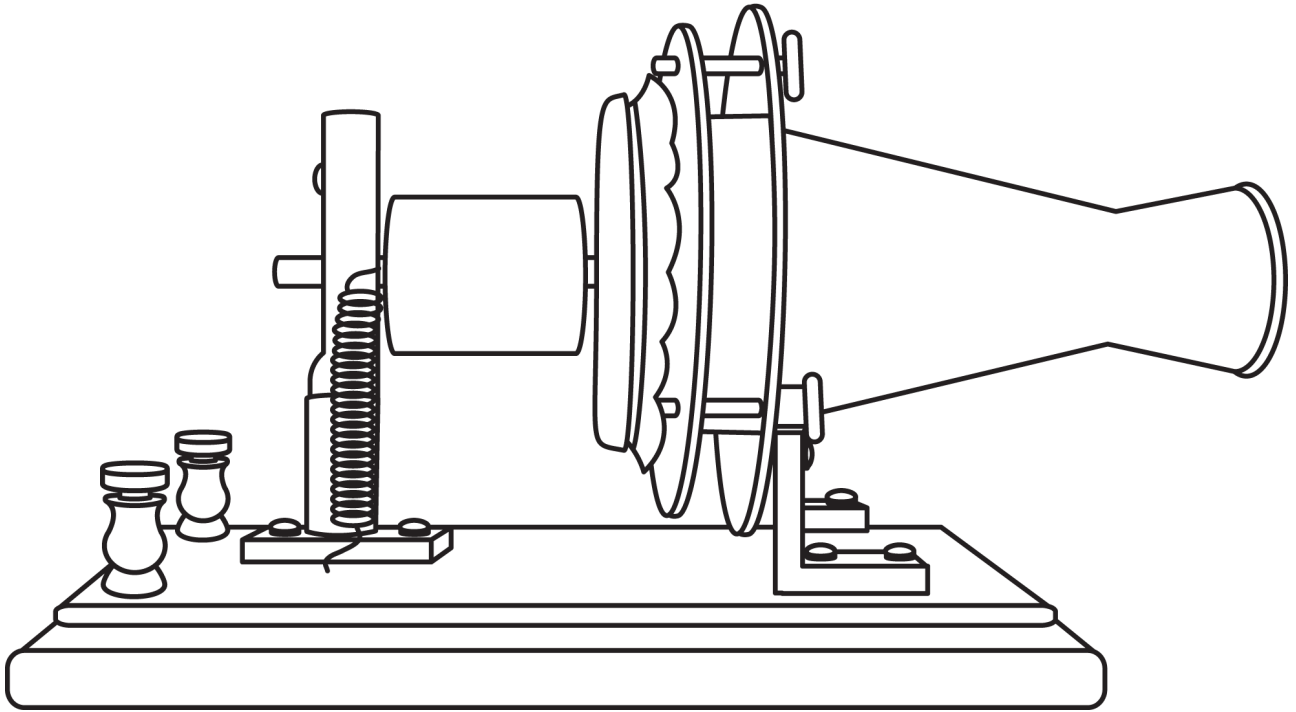


He tried to improve  
the telegraph so you  
could send multiple  
messages over the  
wire at one time.





*He received his first  
telephone patent  
in 1876.*



*This is one of several  
telephone designs shown  
at the Philadelphia  
Centennial Exposition.*



Bell married Mabel

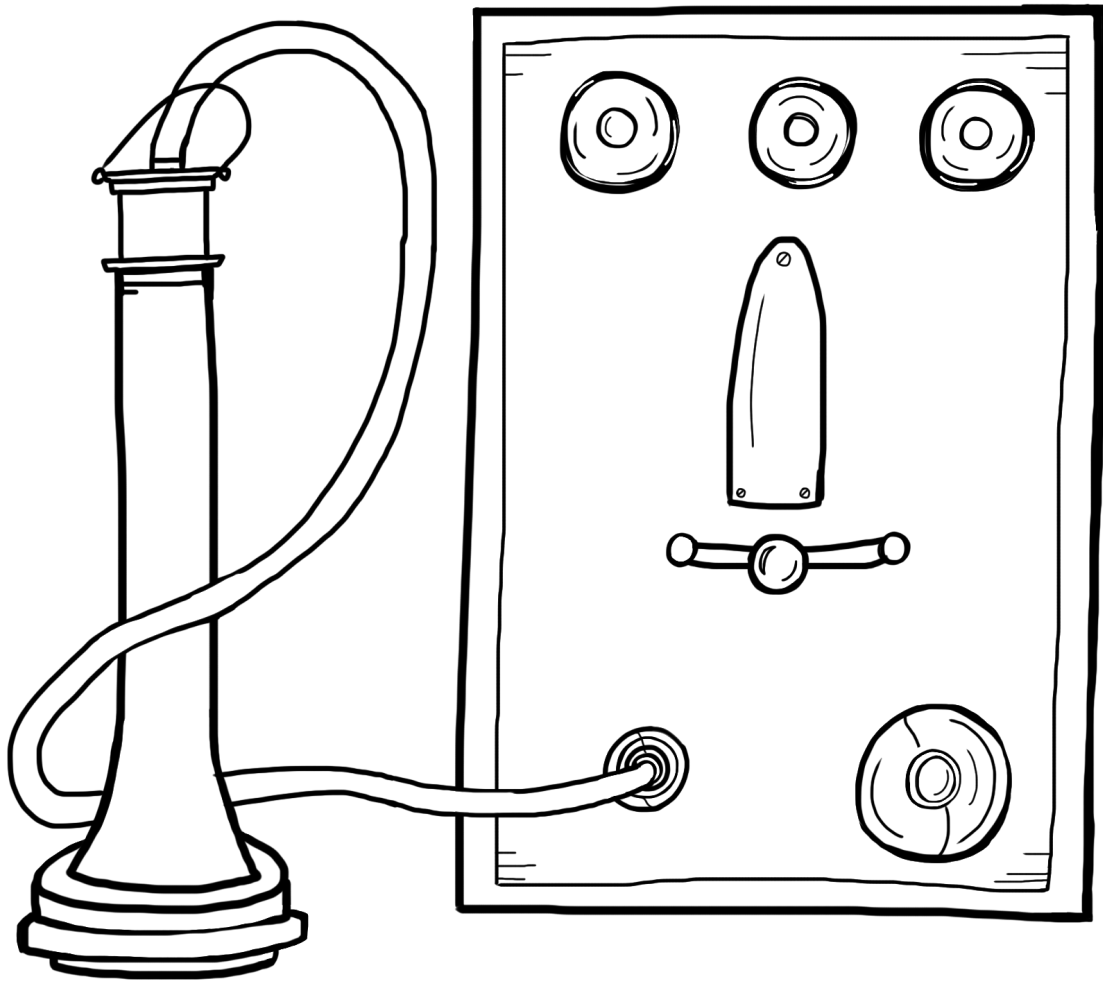
Hubbard, and

they moved to

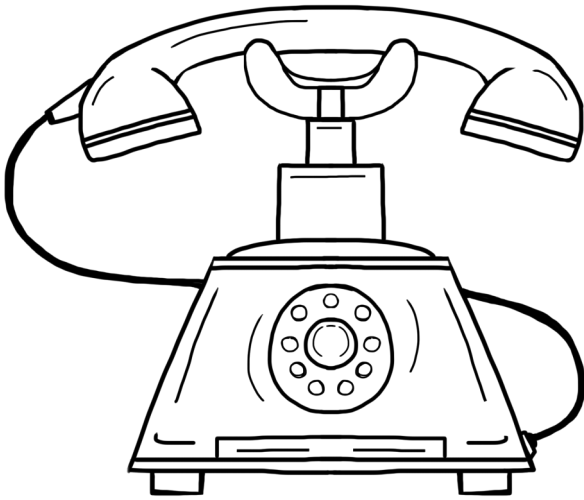
Washington, D.C.



By the time the cities of  
New York and Chicago  
were linked by phone, its  
design had changed.



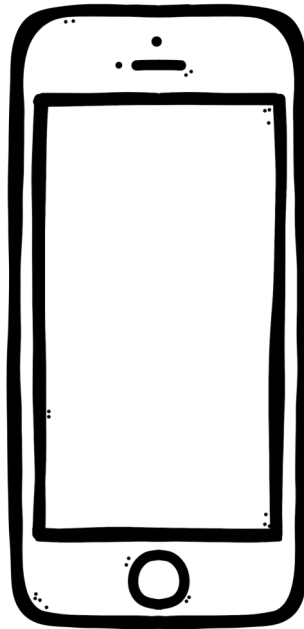
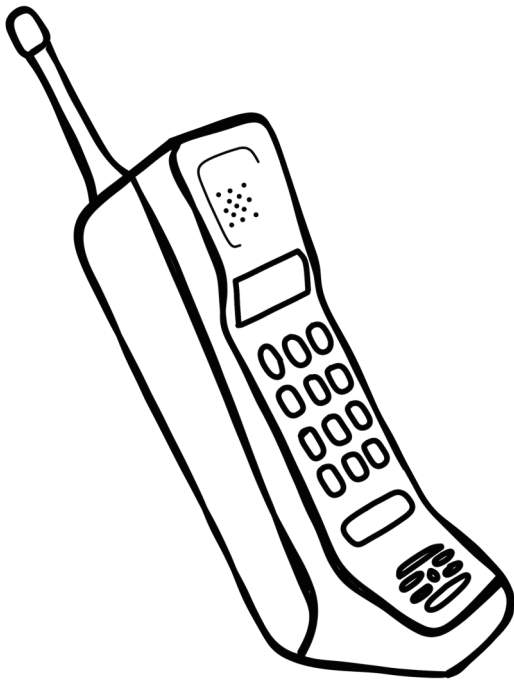
Over the years, the design  
of the phone has  
continued to change . . .



*dials were added, . . .*



*then changed to buttons.*

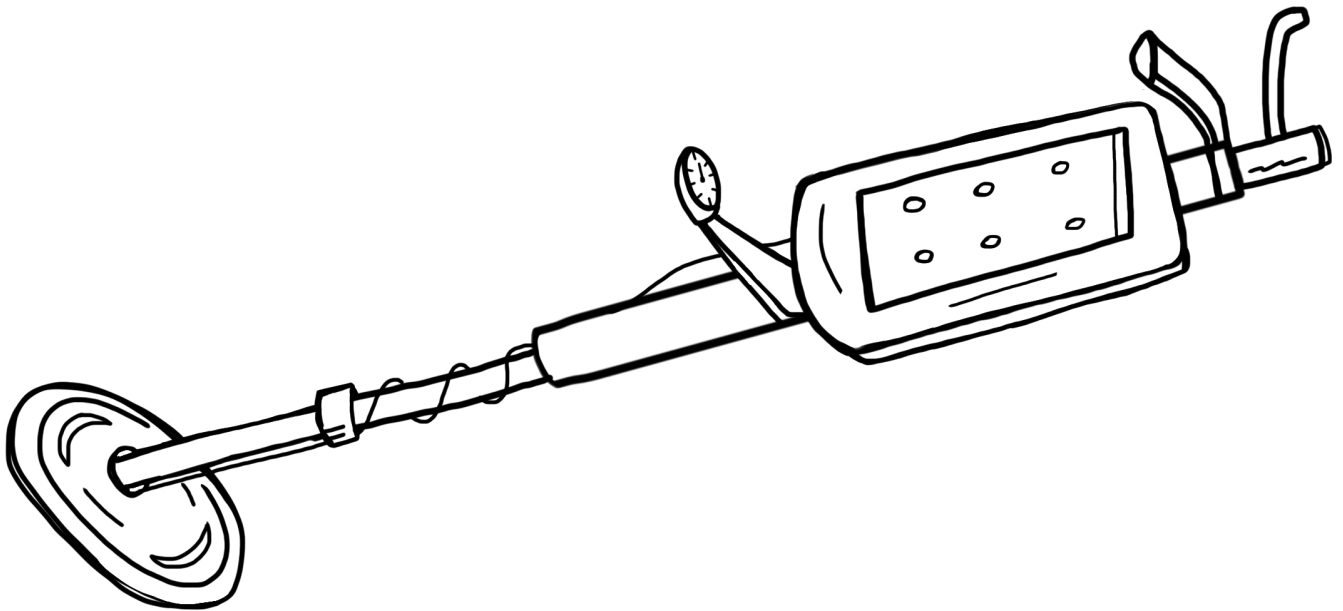


*Now, you don't even  
need a cord.*

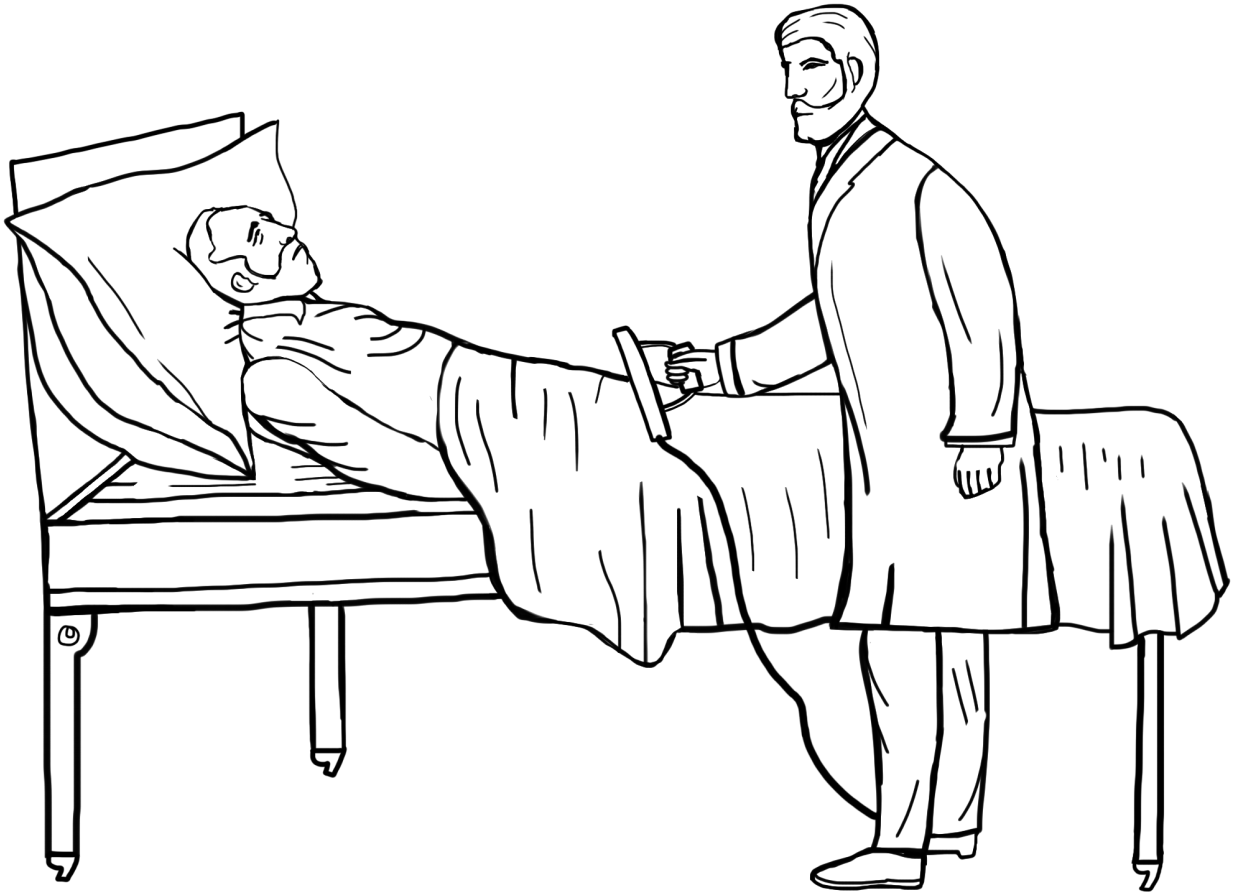




Bell founded the Volta  
Laboratory and the  
Alexander Graham Bell  
Association for the Deaf.



He also invented a  
way to detect bullets  
inside the body that  
doctors used until  
X rays were discovered.



He used it to try to save  
President Garfield after  
he'd been shot, but springs  
in the bed interfered.



Thank you for downloading my product! I pray it is a blessing to you and your family. If you'd like to view more of my products and freebies, you'll find them at [WriteBonnieRose.com](http://WriteBonnieRose.com). I am adding new material almost every week, so please check back often or sign up to receive my newsletter so you don't miss a thing.

At [WriteBonnieRose.com](http://WriteBonnieRose.com), you'll find:

- Resources for Teaching Kids About the Persecuted Church and Unreached People Groups
- Copywork
- History Resources and Printables
- Holiday Resources and Printables
- Coloring Pages
- Notebooking Pages
- Timeline Worksheets and Resources
- Short Stories for Kids
- Writing Opportunities
- How to Write for Homeschoolers

I'd love to connect with you! In addition to my website, you can find me on:

[CurrClick](#)  
[Educents](#)  
[Teachers Pay Teachers](#)  
[Teacher's Notebook](#)  
[Facebook](#)  
[Pinterest](#)  
[Twitter](#)  
[Google+](#)  
[LinkedIn](#)

