

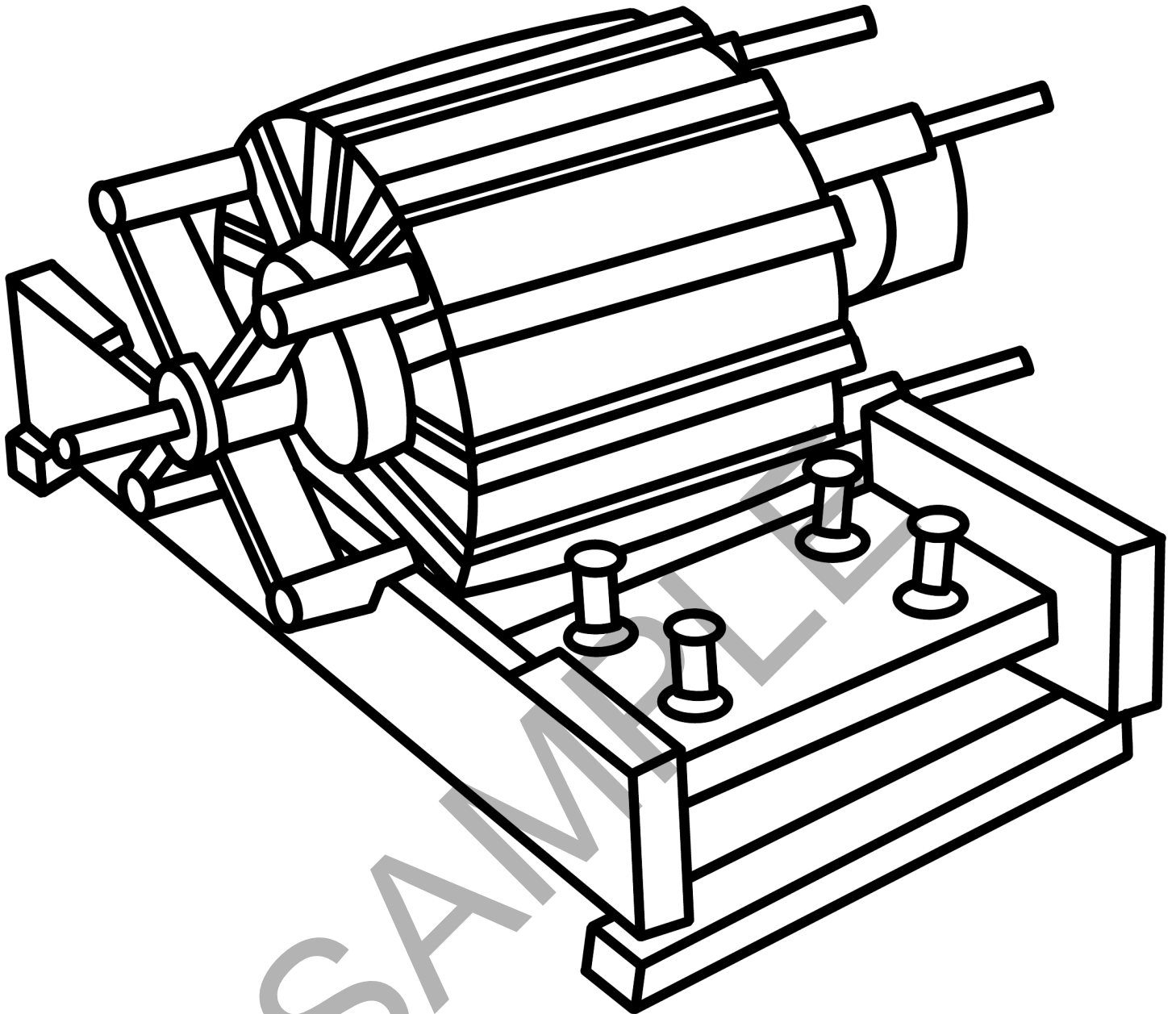
Nikola Tesla

was born on

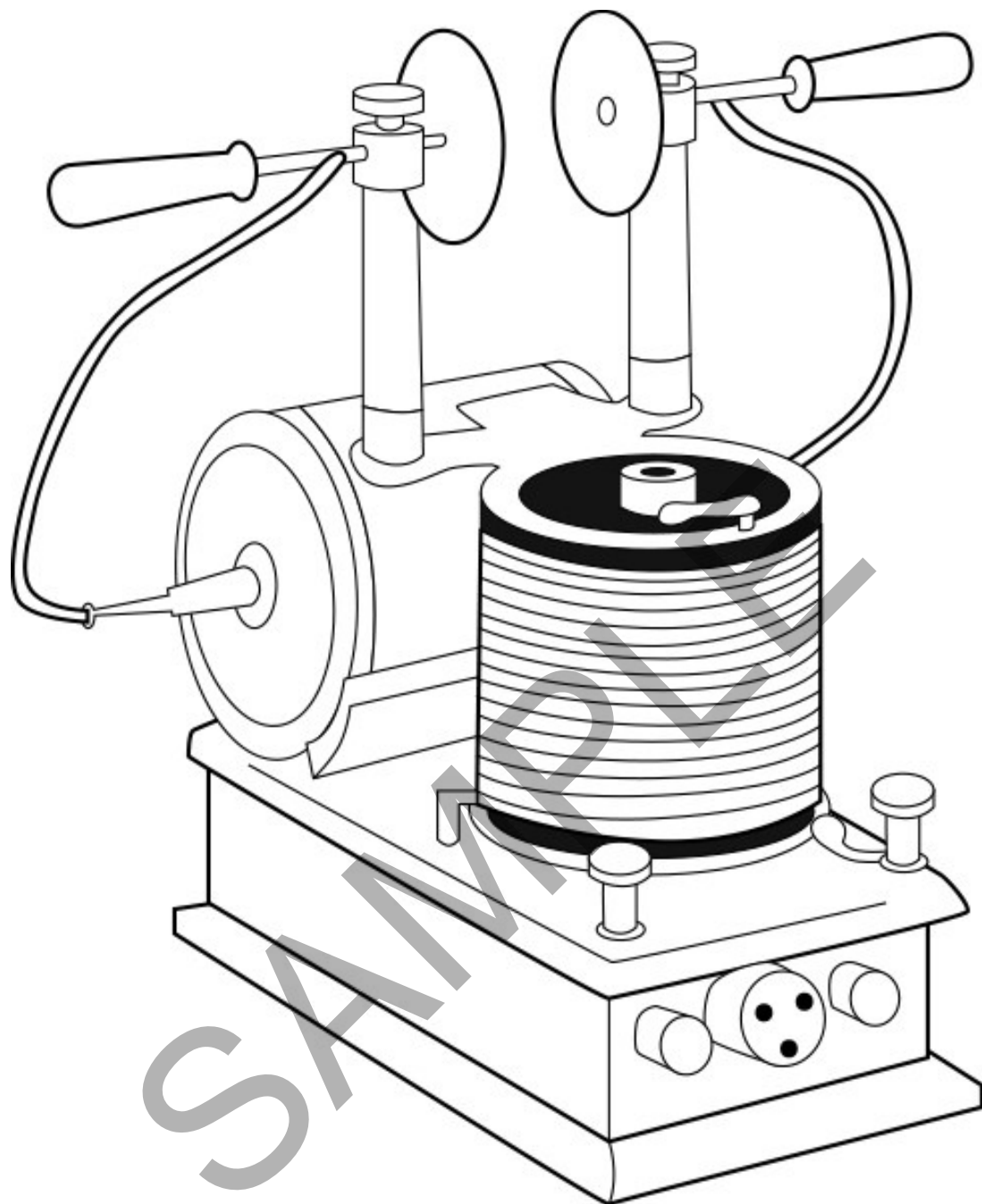
July 9 or 10, 1856, . . .



in what is now Croatia.



He created plans for
an induction motor
that he later
developed.



In 1891, Tesla invented
what he is most noted
for, the Tesla coil.