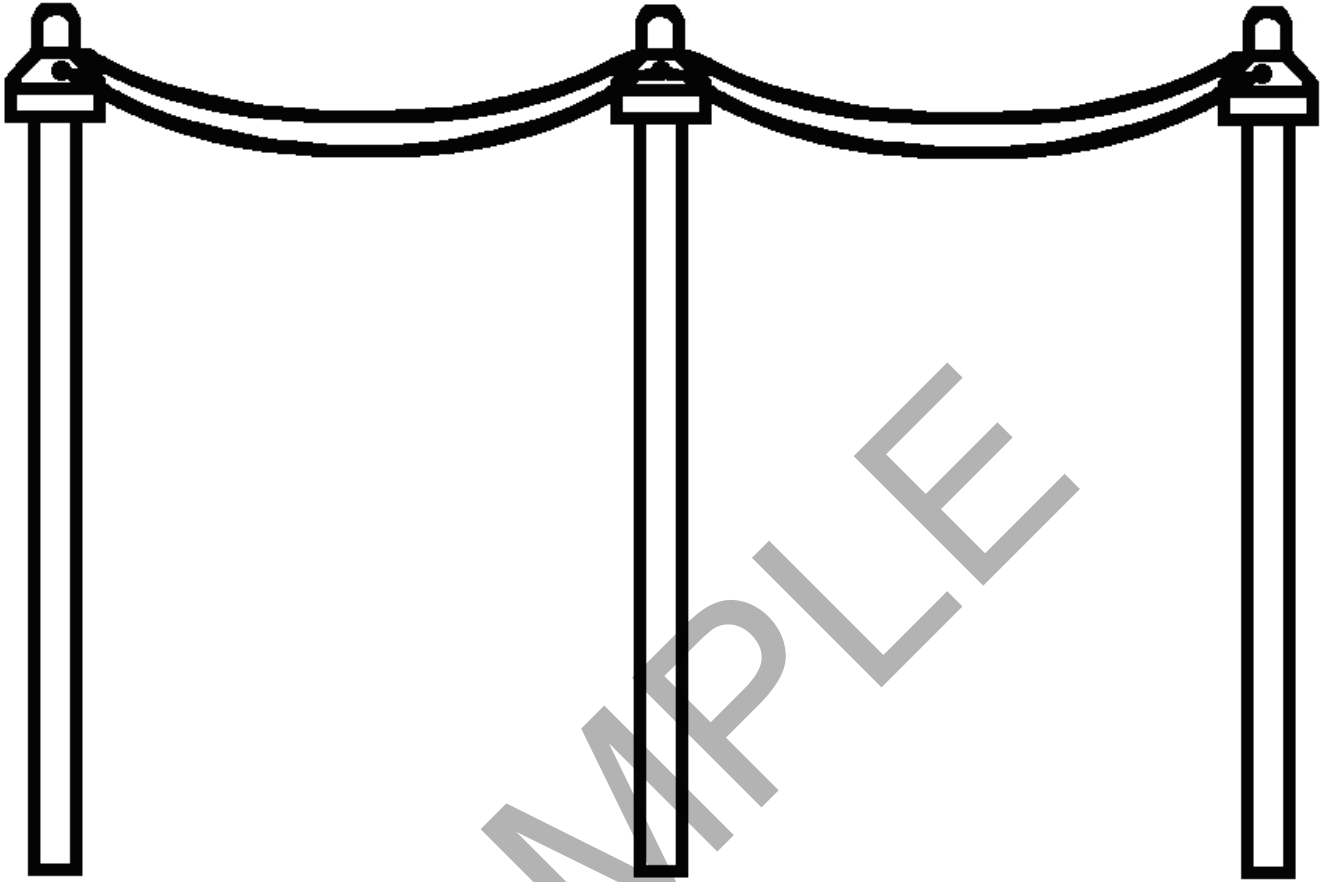
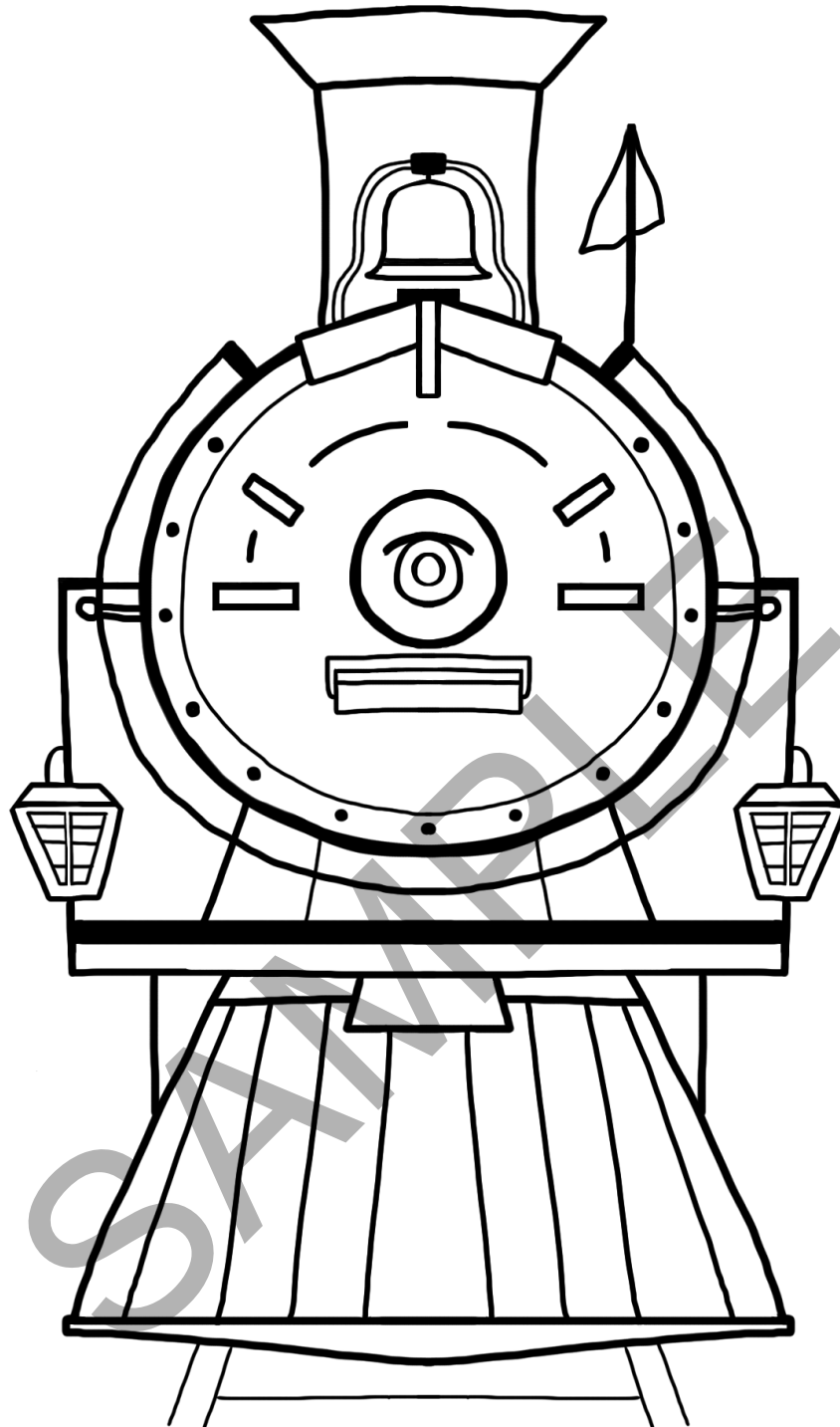


Granville's most  
important invention  
was called the  
multiplex telegraph.

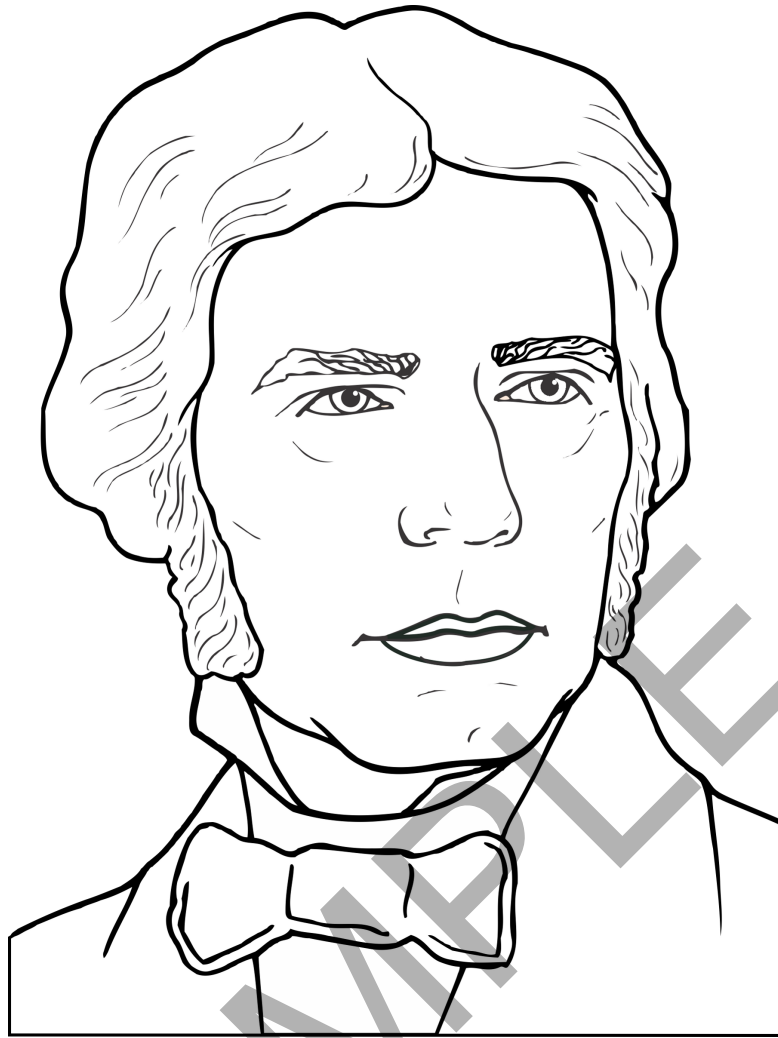


SAMPLE

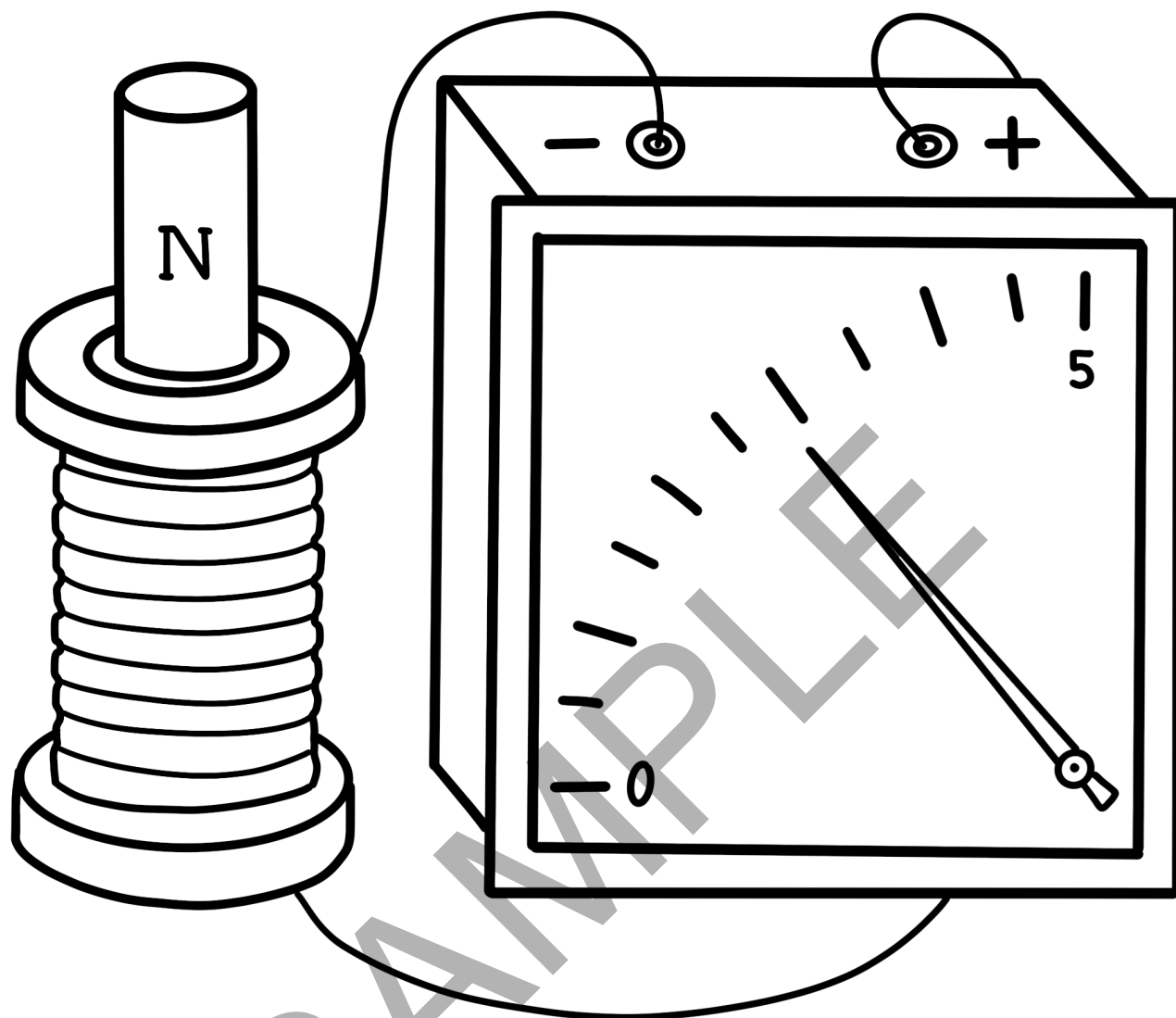
At the time,  
telegraph messages  
could only be sent  
along continuous  
wires.



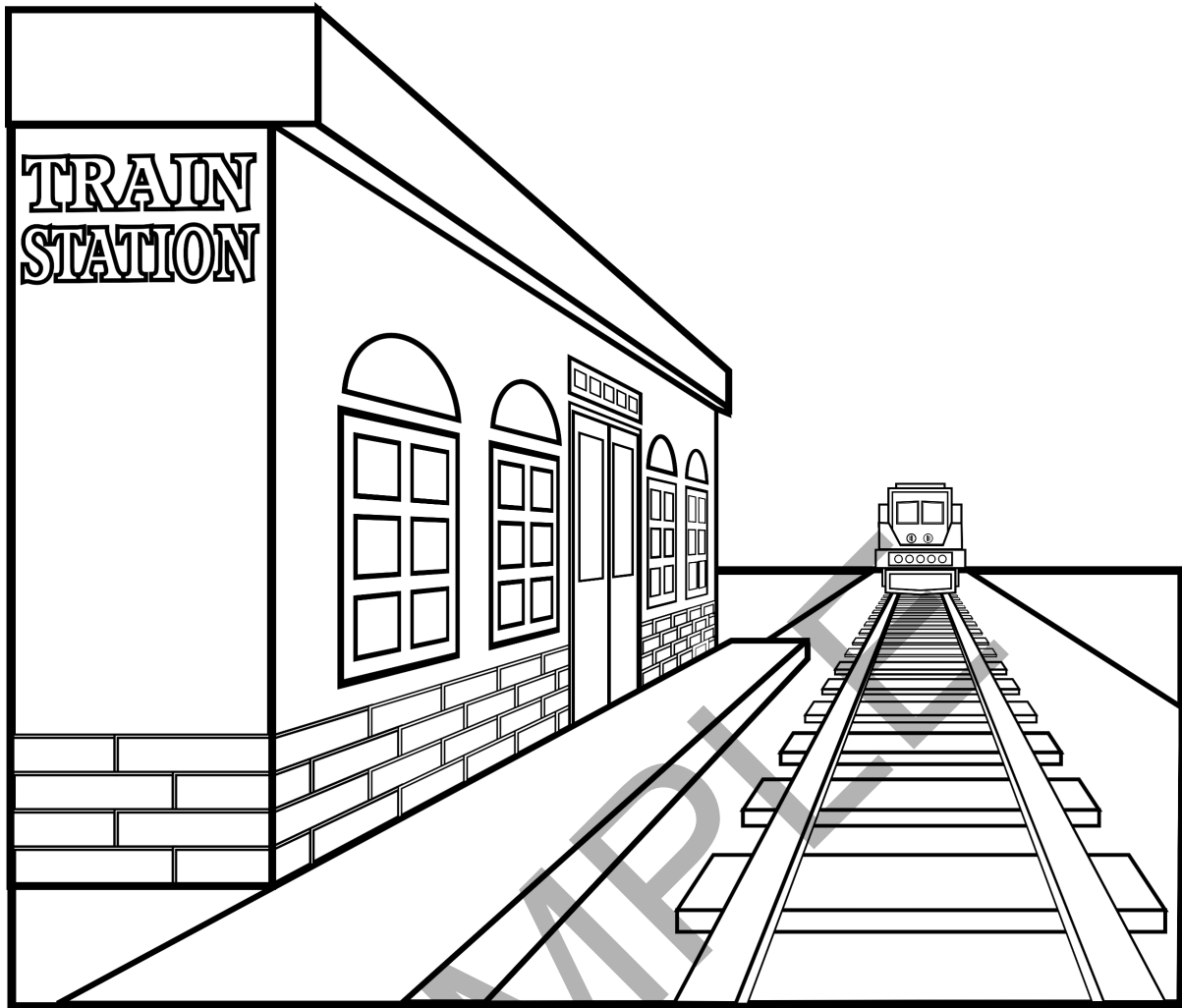
This made it hard to  
send messages from  
a moving train.



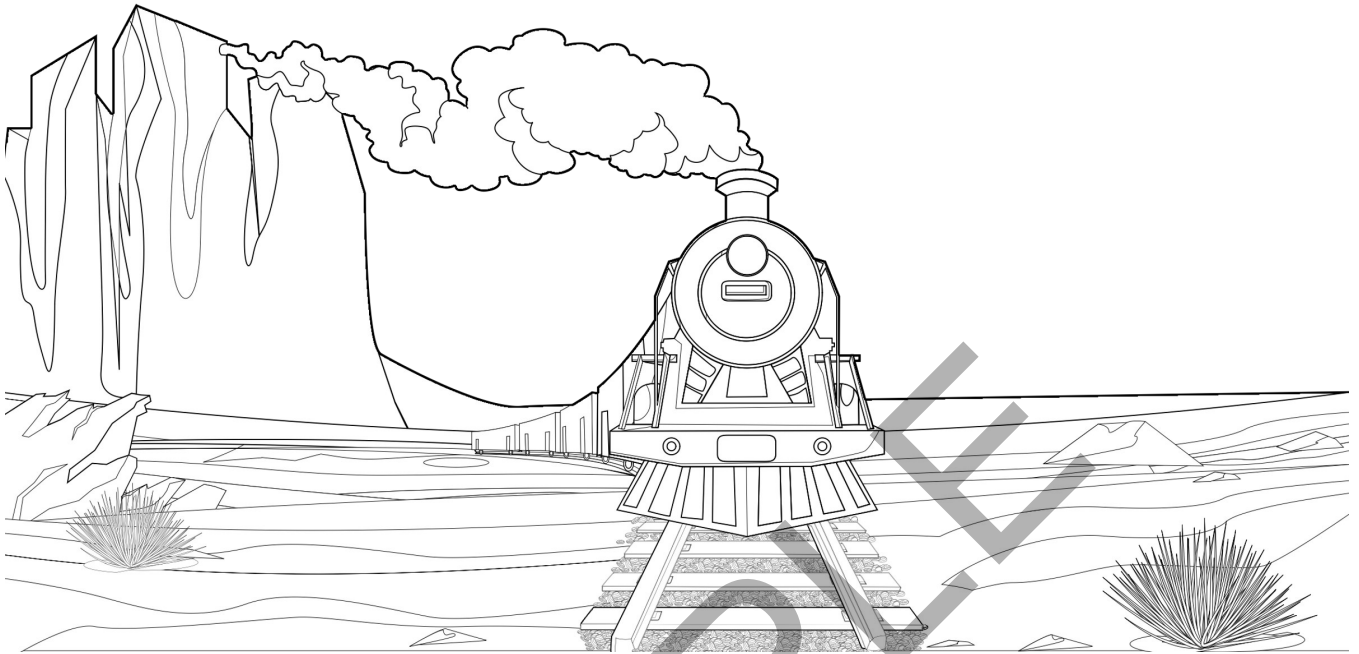
But a few decades  
earlier, scientist  
Michael Faraday  
had discovered  
electromagnetic  
induction.



It used electricity  
and magnets  
to produce a  
magnetic field.



Granville's invention  
used this discovery  
to enable a moving  
train to send clear  
signals to the station  
or other trains.



Now a train could  
warn others of  
rockslides, washed-  
out bridges, or  
another train on the  
same track.