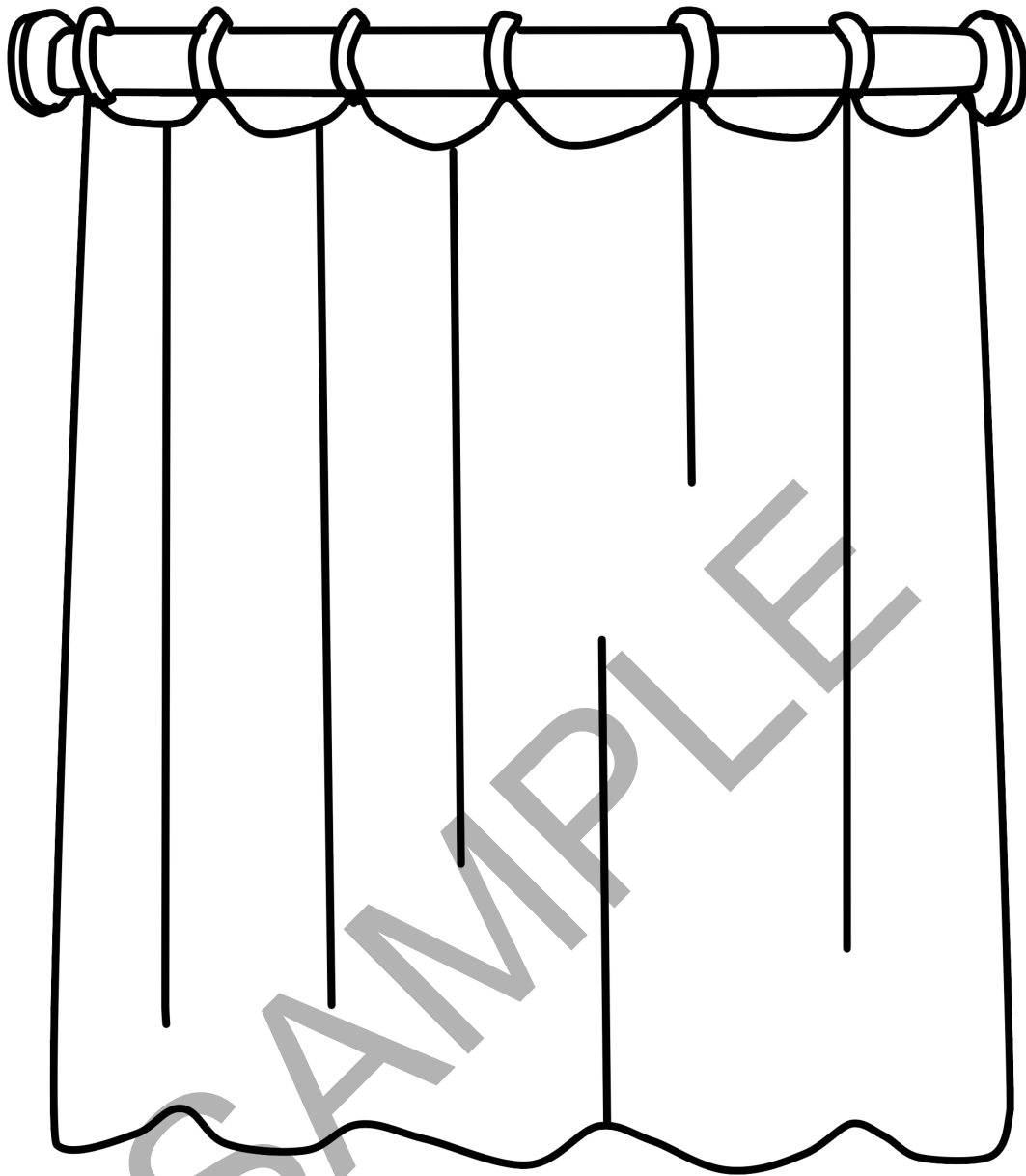




One night, when her
baby wet their cloth
diaper and the
sheets for the
countless time . . .

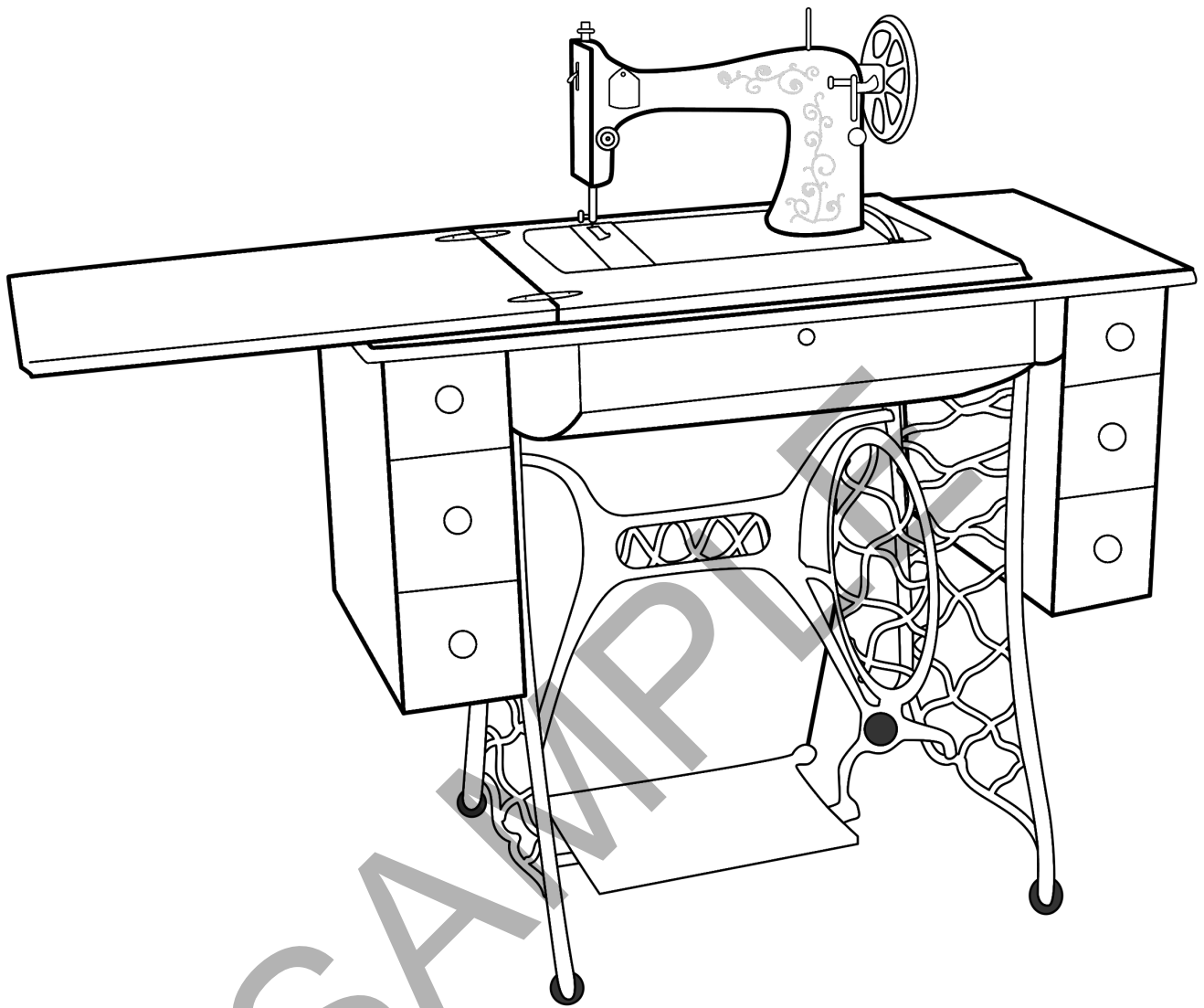


Marion had an idea

to make a diaper

waterproof. She took

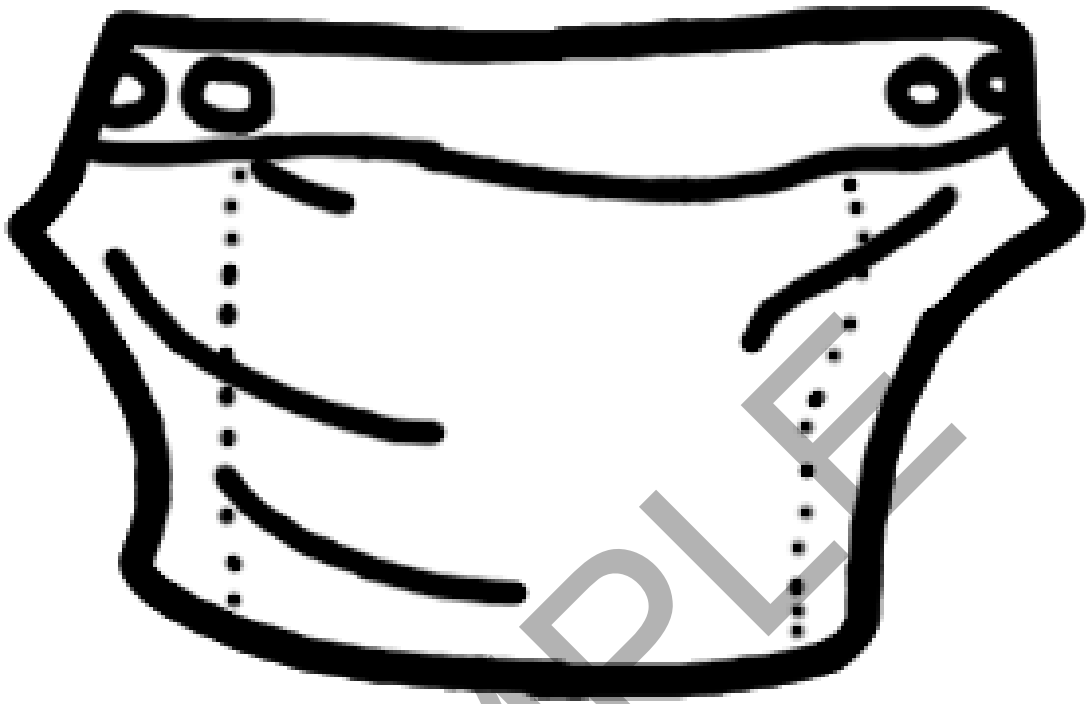
a shower curtain



and sewing machine

and created a

diaper cover.



It became her first
popular invention,
which she called
a “Boater” because
of its shape.